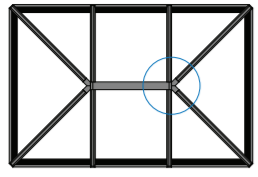
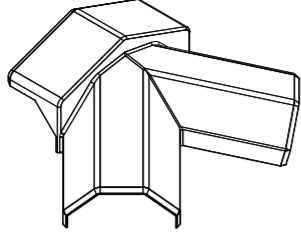


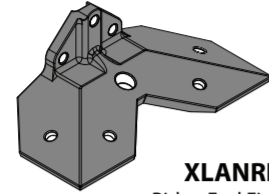
STRATUS COMPONENTS



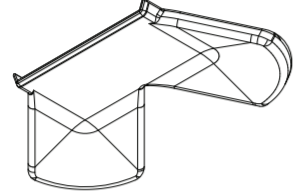
2-WAY COMPONENTS



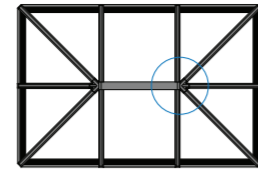
XLANRE2-TC
Ridge End Fixed 20°
2-Way Top Cap



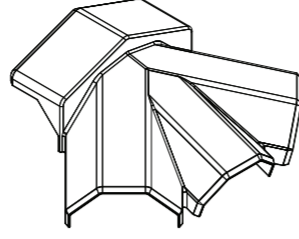
XLANRE2
Ridge End Fixed 20°
2-Way Lantern Roof Casting



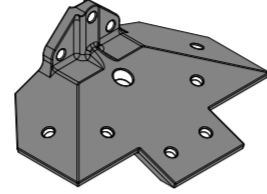
XLANRE2-BC
Ridge End 2-Way
Internal Cover



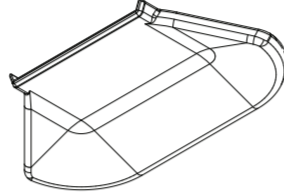
3-WAY COMPONENTS



XLANRE3-TC
Ridge End Fixed 20°
3-Way Top Cap



XLANRE3
Ridge End Fixed 20°
3-Way Lantern Roof Casting



XLANRE3-BC
Ridge End 3-Way
Internal Cover

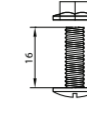
K2-KDC8031
Ridge Holding Bolt
200mm Long
(M8 Nylon)



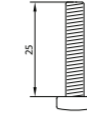
XREC4
Global M8
Bolt Cover



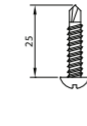
XLANRE-FB1
Radius End
Foam Infill



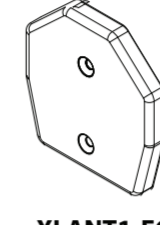
XLAN-M516
M5 x 16mm
Fixing Bolt



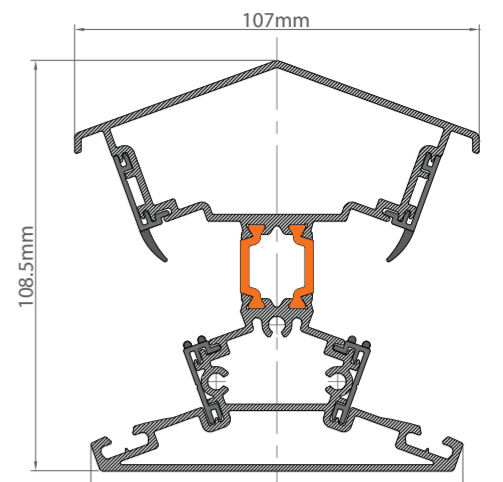
XM525
M5 x 25mm
Ridge to Radius End
Machine Screw



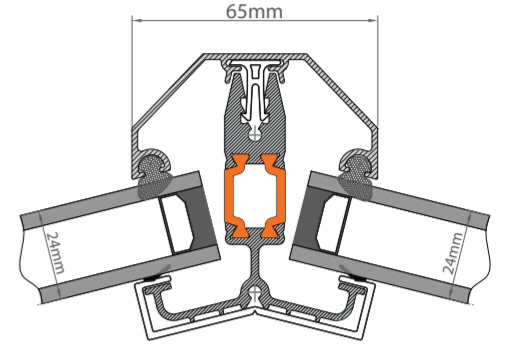
8PSR42-25BLK
4.2 x 25mm
End Cap Screw



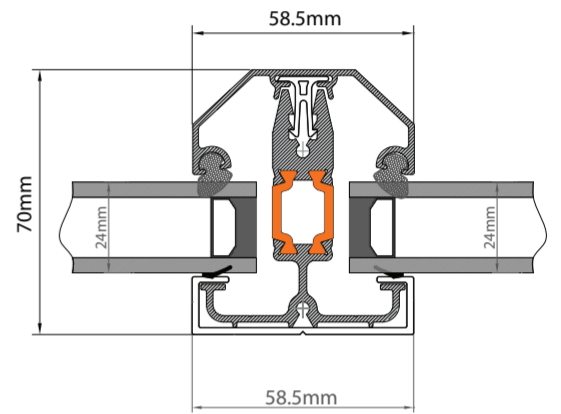
XLANT1-EC
Rafter & Georgian
Hip End Cap



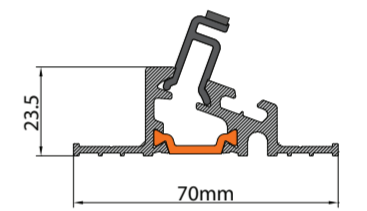
RIDGE ASSEMBLY



GEORGIAN HIP RAFTER ASSEMBLY



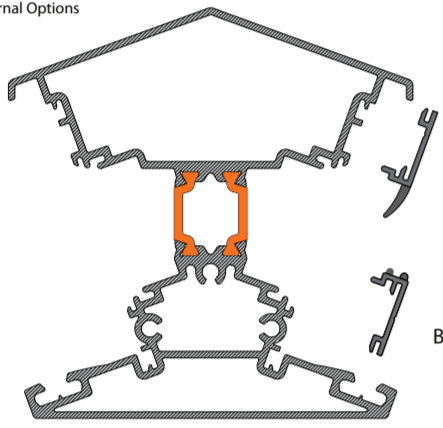
RAFTER ASSEMBLY



EAVES BEAM ASSEMBLY

STRATUS EXTRUSIONS

External Options



XLAN-P6030
Top Cloaking Trim

K2-KDP6028
Bottom Cloaking Trim

Internal Option

XLANR20
Ridge

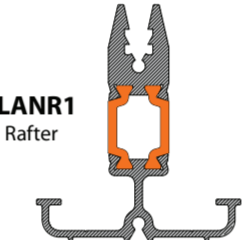
XLANR1-C1
Rafter Top
Cap



XLAN-P6074
Top Cap Clip



XLANR1
Rafter



XBC2
Rafter Bottom
Cap



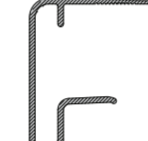
XLANGH1-C1
Georgian Hip
Top Cap



XLANGH1
Georgian Hip



K2-KDA5161
Aluminium
End Closer



K2-C9060
Q-Lon Weather Seal



XLANEB1
Eaves Beam Plate

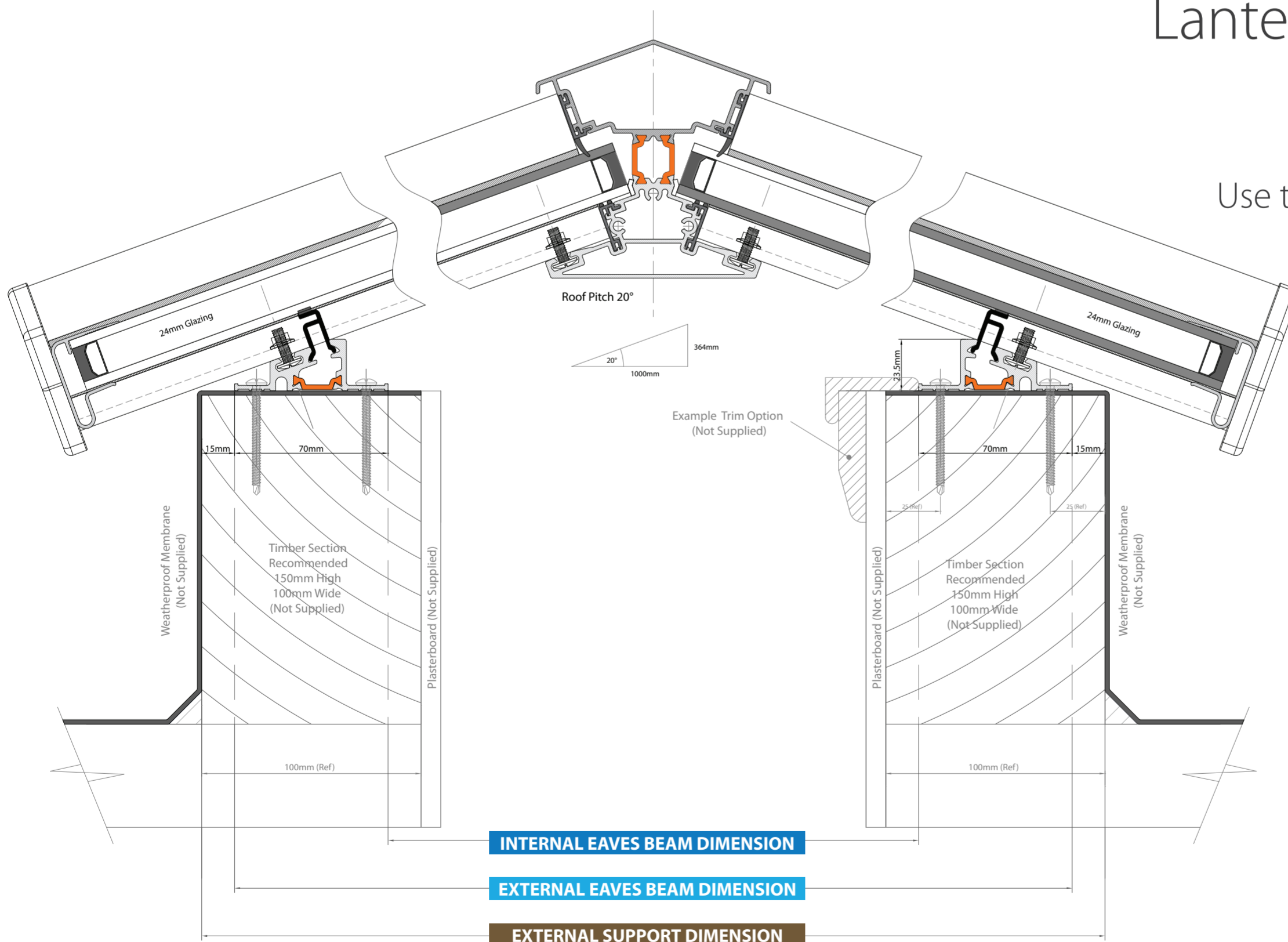


XPS1
PVC-U Support
Infill

COLOUR GUIDE
Grey RAL 7016
White RAL 9016
Black RAL 9005

Lantern cross section

Use these guides to aid setting out your Stratus Thermal Lantern Roof correctly



INTERNAL EAVES BEAM DIMENSION

▼ +140mm (70mm + 70mm) ▼

EXTERNAL EAVES BEAM DIMENSION

EXTERNAL EAVES BEAM DIMENSION

▼ +30mm (15mm + 15mm) ▼

EXTERNAL SUPPORT DIMENSION

INTERNAL EAVES BEAM DIMENSION

▼ +170mm (85mm + 85mm) ▼

EXTERNAL SUPPORT DIMENSION

FOR OPTIMUM LOOKS
Width x 1.5 / 2 / 2.5 Length etc.
example 1400 (W) x 2100mm (L)



24mm GLAZING



20° FIXED PITCH



CONTEMPORARY MAX SIZE
1500 (W) x 3000mm (L)



2-WAY MAX SIZE
1500 (W) x 6000mm (L)



3-WAY MAX SIZE
3000 (W) x 6000mm (L)



SUGGESTED PERIMETER SUPPORT
100 (W) x 150mm (H)

Maximum sizes refer to external support dimension. Diagrams are not indicative of the rafters required for different sized lanterns.